

# HSS<sup>®</sup> AIR HANDLER

BY B&D MFG., INC.

## Up Flow / Down Flow / Horizontal Configurations

Plug & Play Heat Strip Options 3KW 5KW 10KW 15KW

### Pair with Any of the Following Hydronic Applications

- Water-to-Water geothermal heat pump applications
- Air-to-Water heat pump applications
- Boiler applications
- Utilize with tankless water heaters for space heating applications
- Utilize with High-Efficiency hot water tanks for space heating applications
- Commercial chiller applications

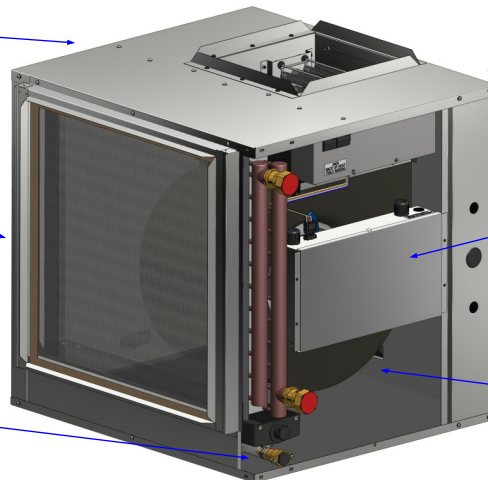


## HSS<sup>®</sup> Air Handler Overview

Built with Heavy Gauge White Steel  
Durable ArmorGuard™ baked-on finish

Uses Standard Air Filter  
Easy access & removable from both sides

Polyethylene Drain Pan  
Primary & secondary connections



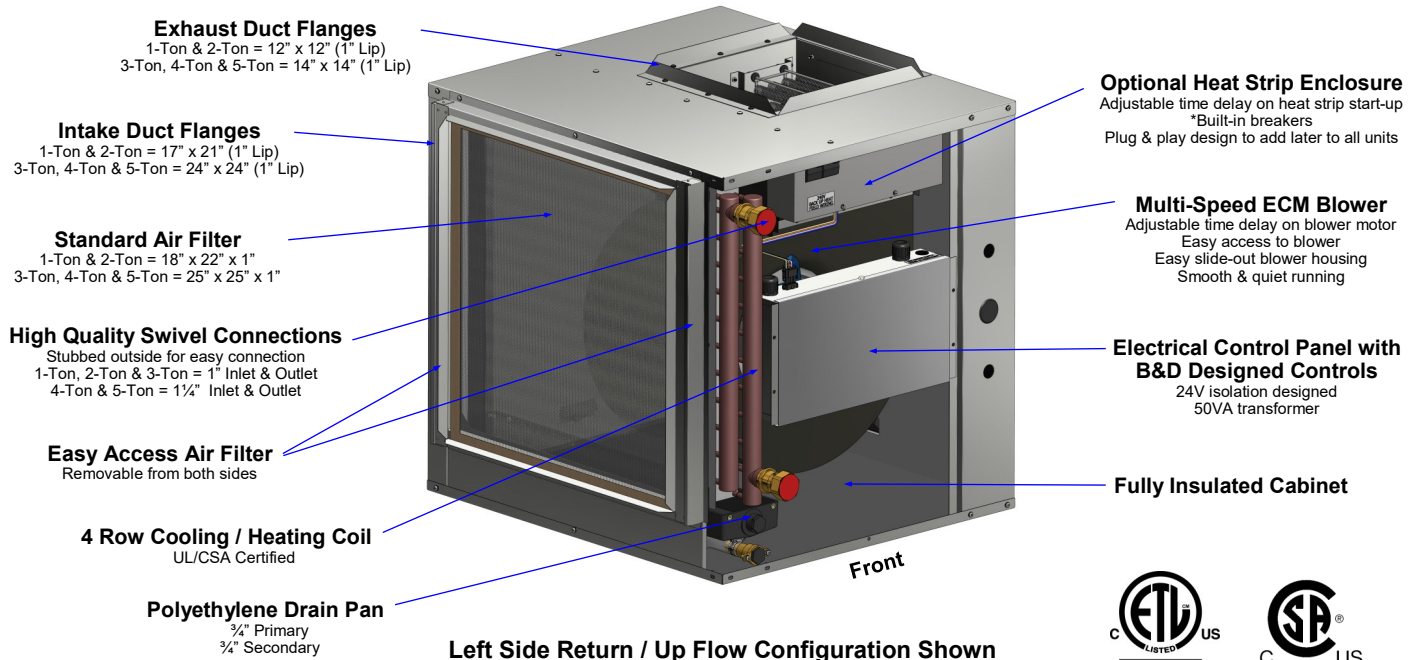
Optional Heat Strip Enclosure

B&D Designed Controls  
Wiring decal provided with all units

Multi-Speed ECM Motor  
Smooth & quiet running blower

- ETL Listed / CSA Certified
- Fully insulated compact cabinet design
- Low temperature design starting at 105° up to 180° E.W.T. for heating and 40° to 50° E.W.T. for cooling
- Built-in 24V isolation relay to eliminate voltage feedback
- Factory programmed motors that are field adjustable to fine tune your desired CFM
- Programmable, 30 seconds to 35 minute time-delay on blower start-up to delay hot or cold start-up
- Programmable, 30 seconds to 35 minute time-delay for strip heat activation
- 5 Year warranty on all components

# HSS<sup>®</sup> Air Handler Features & Benefits



## Up Flow & Down Flow Units

MODEL #	DIMENSIONS
BDAH-01	23"W x 24"H x 28"D
BDAH-02	23"W x 24"H x 28"D
BDAH-03	28"W x 30"H x 31"D
BDAH-04	28"W x 30"H x 31"D
BDAH-05	28"W x 30"H x 31"D

NOTE: FRONT OF CABINET IDENTIFIED AS THE WIDTH DIMENSION SIDE



1-2 Ton Left Side Return / Up Flow Config. Shown

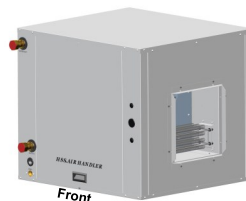


3-5 Ton Left Side Return / Up Flow Config. Shown

## Horizontal Units

MODEL #	DIMENSIONS
BDAH-01	31"W x 24"H x 28"D
BDAH-02	31"W x 24"H x 28"D
BDAH-03	34"W x 30"H x 31"D
BDAH-04	34"W x 30"H x 31"D
BDAH-05	34"W x 30"H x 31"D

NOTE: FRONT OF CABINET IDENTIFIED AS THE WIDTH DIMENSION SIDE



1-2 Ton Left Side Return / Horizontal Config. Shown



3-5 Ton Left Side Return / Horizontal Config. Shown

# 1-Ton HSS® Hydronic Air Handler Options



Left Side Return / Up Flow Configuration Shown

APPROX WT (LBS)	DIMENSIONS
100	23"W x 24"H x 28"D

Horizontal Units	MODEL #	DESCRIPTION
	BDAH-01E0500-1AH	1 TON HORIZONTAL / LEFT RETURN / NO BACKUP HEAT
	BDAH-01E0500-1BH	1 TON HORIZONTAL / RIGHT RETURN / NO BACKUP HEAT
	<b>NEW</b> BDAH-01E0503-1AH	1 TON HORIZONTAL / LEFT RETURN / 3KW BACKUP HEAT
	<b>NEW</b> BDAH-01E0503-1BH	1 TON HORIZONTAL / RIGHT RETURN / 3KW BACKUP HEAT

Up Flow Units	MODEL #	DESCRIPTION
	BDAH-01E0500-1AU	1 TON UP FLOW / LEFT RETURN / NO BACKUP HEAT
	BDAH-01E0500-1BU	1 TON UP FLOW / RIGHT RETURN / NO BACKUP HEAT
	BDAH-01E0503-1AU	1 TON UP FLOW / LEFT RETURN / 3KW BACKUP HEAT
	BDAH-01E0503-1BU	1 TON UP FLOW / RIGHT RETURN / 3KW BACKUP HEAT

Down Flow Units	MODEL #	DESCRIPTION
	BDAH-01E0500-1AD	1 TON DOWN FLOW / LEFT RETURN / NO BACKUP HEAT
	BDAH-01E0500-1BD	1 TON DOWN FLOW / RIGHT RETURN / NO BACKUP HEAT
	BDAH-01E0503-1AD	1 TON DOWN FLOW / LEFT RETURN / 3KW BACKUP HEAT
	BDAH-01E0503-1BD	1 TON DOWN FLOW / RIGHT RETURN / 3KW BACKUP HEAT

## 1-Ton HSS® AIR HANDLER MODEL NUMBER INFORMATION

BDAH-	01	E	05		-	1			
-------	----	---	----	--	---	---	--	--	--

<b>Tonnage</b> 01 = 1 TON	<b>Motor Type</b> E = ECM	<b>CFM</b> 05 = 500 CFM	<b>kW</b> 00 = None 03 = 3kW	<b>Voltage</b> 1 = 240V / 208V 60Hz / 1Phase	<b>Return Air Direction</b> A = Left (Standard) B = Right	<b>Supply Air Direction</b> U = Up flow (Standard) D = Down flow H = Horizontal flow	<b>Filter Thickness</b> 1 = 1" (Standard) 2 = 2"
------------------------------	------------------------------	----------------------------	------------------------------------	--	---	---	--

NOTE: THIS IS THE SIDE THE FILTER WILL BE LOCATED ON.

## 1-Ton HSS® Air Handler Replacement Parts

Part Number	Size Description
B2-30T	24V-30 MIN AJUSTABLE TIME DELAY
ZT-4X-60	4-CIRCUIT RELAY BOARD
TCT50-05E07K	DUAL VOLTAGE (120V/230V PRIMARY) 24V 50 VA TRANSFORMER
AH3KWHEAT-FAB	3KW HEAT STRIP ASSEMBLY
08-3160-00	KW RELAY
08-3280-01	KW WHITE RECTIFIER BOARD
08-2833-00	LIMIT SWITCH - KW UNIT
AHEM0003/1T	1-TON BLOWER MOTOR (FACTORY PROGRAMMED)
AHMTBRBK34T	1-TON MOTOR BRACKET
AHPA00030SBH	1-TON BLOWER HOUSING ASSEMBLY
AHCOIL1T	1-TON COIL (COIL ONLY)
1TONCOIL	1-TON COIL ASSEMBLY (WITH SWIVELS)
AIRFILTER18-1	18" x 22" x 1" AIR FILTER (MERV 8)
AIRFILTER18-2	18" x 22" x 2" AIR FILTER (MERV 8)
LC-182-00820-079E9	1-TON SWIVEL GASKET

# 2-Ton HSS® Hydronic Air Handler Options



Left Side Return / Up Flow Configuration Shown

APPROX WT (LBS)	DIMENSIONS
105	23"W x 24"H x 28"D

Horizontal Units	MODEL #	DESCRIPTION
	BDAH-02E0900-1AH	2 TON HORIZONTAL / LEFT RETURN / NO BACKUP HEAT
	BDAH-02E0900-1BH	2 TON HORIZONTAL / RIGHT RETURN / NO BACKUP HEAT
	<b>NEW</b> BDAH-02E0905-1AH	2 TON HORIZONTAL / LEFT RETURN / 5KW BACKUP HEAT
	<b>NEW</b> BDAH-02E0905-1BH	2 TON HORIZONTAL / RIGHT RETURN / 5KW BACKUP HEAT

Up Flow Units	MODEL #	DESCRIPTION
	BDAH-02E0900-1AU	2 TON UP FLOW / LEFT RETURN / NO BACKUP HEAT
	BDAH-02E0900-1BU	2 TON UP FLOW / RIGHT RETURN / NO BACKUP HEAT
	BDAH-02E0905-1AU	2 TON UP FLOW / LEFT RETURN / 5KW BACKUP HEAT
	BDAH-02E0905-1BU	2 TON UP FLOW / RIGHT RETURN / 5KW BACKUP HEAT

Down Flow Units	MODEL #	DESCRIPTION
	BDAH-02E0900-1AD	2 TON DOWN FLOW / LEFT RETURN / NO BACKUP HEAT
	BDAH-02E0900-1BD	2 TON DOWN FLOW / RIGHT RETURN / NO BACKUP HEAT
	BDAH-02E0905-1AD	2 TON DOWN FLOW / LEFT RETURN / 5KW BACKUP HEAT
	BDAH-02E0905-1BD	2 TON DOWN FLOW / RIGHT RETURN / 5KW BACKUP HEAT

## 2-Ton HSS® AIR HANDLER MODEL NUMBER INFORMATION

BDAH-	02	E	09		-	1				
<b>Tonnage</b> 02 = 2 TON	<b>Motor Type</b> E = ECM	<b>CFM</b> 09 = 950 CFM	<b>kW</b> 00 = None 05 = 5kW	<b>Voltage</b> 1 = 240V / 208V 60Hz / 1Phase	<b>Return Air Direction</b> A = Left (Standard) B = Right	<b>Supply Air Direction</b> U = Up flow (Standard) D = Down flow H = Horizontal flow	<b>Filter Thickness</b> 1 = 1" (Standard) 2 = 2"	<b>NOTE: THIS IS THE SIDE THE FILTER WILL BE LOCATED ON.</b>		

## 2-Ton HSS® Air Handler Replacement Parts

Part Number	Size Description
B2-30T	24V-30 MIN AJUSTABLE TIME DELAY
ZT-4X-60	4-CIRCUIT RELAY BOARD
TCT50-05E07K	DUAL VOLTAGE (120V/230V PRIMARY) 24V 50 VA TRANSFORMER
AH5KWHEAT-FAB	5KW HEAT STRIP ASSEMBLY
08-3160-00	KW RELAY
08-3280-01	KW WHITE RECTIFIER BOARD
08-2833-00	LIMIT SWITCH - KW UNIT
AHEM0003/2T	2-TON BLOWER MOTOR (FACTORY PROGRAMMED)
AHMTRBRK34T	2-TON MOTOR BRACKET
AHPA00030SBH	2-TON BLOWER HOUSING ASSEMBLY
AHCOIL2T	2-TON COIL (COIL ONLY)
2TONCOIL	2-TON COIL ASSEMBLY (WITH SWIVELS)
AIRFILTER18-1	18" x 22" x 1" AIR FILTER (MERV 8)
AIRFILTER18-2	18" x 22" x 2" AIR FILTER (MERV 8)
LC-182-00820-079E9	2-TON SWIVEL GASKET

# 3-Ton HSS® Hydronic Air Handler Options



Left Side Return / Up Flow Configuration Shown

APPROX WT (LBS)	DIMENSIONS
136	28"W x 30"H x 31"D

Horizontal Units	MODEL #	DESCRIPTION
	BDAH-03E1300-1AH	3 TON HORIZONTAL / LEFT RETURN / NO BACKUP HEAT
	BDAH-03E1300-1BH	3 TON HORIZONTAL / RIGHT RETURN / NO BACKUP HEAT
	<b>NEW</b> BDAH-03E1310-1AH	3 TON HORIZONTAL / LEFT RETURN / 10KW BACKUP HEAT
	<b>NEW</b> BDAH-03E1310-1BH	3 TON HORIZONTAL / RIGHT RETURN / 10KW BACKUP HEAT

Up Flow Units	MODEL #	DESCRIPTION
	BDAH-03E1300-1AU	3 TON UP FLOW / LEFT RETURN / NO BACKUP HEAT
	BDAH-03E1300-1BU	3 TON UP FLOW / RIGHT RETURN / NO BACKUP HEAT
	BDAH-03E1310-1AU	3 TON UP FLOW / LEFT RETURN / 10KW BACKUP HEAT
BDAH-03E1310-1BU	3 TON UP FLOW / RIGHT RETURN / 10KW BACKUP HEAT	

Down Flow Units	MODEL #	DESCRIPTION
	BDAH-03E1300-1AD	3 TON DOWN FLOW / LEFT RETURN / NO BACKUP HEAT
	BDAH-03E1300-1BD	3 TON DOWN FLOW / RIGHT RETURN / NO BACKUP HEAT
	BDAH-03E1310-1AD	3 TON DOWN FLOW / LEFT RETURN / 10KW BACKUP HEAT
BDAH-03E1310-1BD	3 TON DOWN FLOW / RIGHT RETURN / 10KW BACKUP HEAT	

## 3-Ton HSS® AIR HANDLER MODEL NUMBER INFORMATION

BDAH-	03	E	13		-	1			
-------	----	---	----	--	---	---	--	--	--

<b>Tonnage</b> 03 = 3 TON	<b>Motor Type</b> E = ECM	<b>CFM</b> 13 = 1350 CFM	<b>kW</b> 00 = None 10 = 10kW	<b>Voltage</b> 1 = 240V / 208V 60Hz / 1Phase	<b>Return Air Direction</b> A = Left (Standard) B = Right	<b>Supply Air Direction</b> U = Up flow (Standard) D = Down flow H = Horizontal flow	<b>Filter Thickness</b> 1 = 1" (Standard) 2 = 2"
------------------------------	------------------------------	-----------------------------	-------------------------------------	--	---	---	--

NOTE: THIS IS THE SIDE THE FILTER WILL BE LOCATED ON.

## 3-Ton HSS® Air Handler Replacement Parts

Part Number	Size Description
B2-30T	24V-30 MIN AJUSTABLE TIME DELAY
ZT-4X-60	4-CIRCUIT RELAY BOARD
TCT50-05E07K	DUAL VOLTAGE (120V/230V PRIMARY) 24V 50 VA TRANSFORMER
AH10KWHEAT-FAB	10KW HEAT STRIP ASSEMBLY
08-3160-00	KW RELAY
08-3280-01	KW WHITE RECTIFIER BOARD
08-2833-00	LIMIT SWITCH - KW UNIT
AHEM0005/3T	3-TON BLOWER MOTOR (FACTORY PROGRAMMED)
AHMTRBRK34T	3-TON MOTOR BRACKET
AHPA00006MBH	3-TON BLOWER HOUSING ASSEMBLY
AHCOIL3T	3-TON COIL (COIL ONLY)
3TONCOIL	3-TON COIL ASSEMBLY (WITH SWIVELS)
AIRFILTER25-1	25" x 25" X 1" AIR FILTER (MERV 8)
AIRFILTER25-2	25" x 25" X 2" AIR FILTER (MERV 8)
LC-182-00820-079E9	3-TON SWIVEL GASKET

# 4-Ton HSS® Hydronic Air Handler Options



Left Side Return / Up Flow Configuration Shown

APPROX WT (LBS)	DIMENSIONS
146	28"W x 30"H x 31"D

Horizontal Units	MODEL #	DESCRIPTION
	BDAH-04E1700-1AH	4 TON HORIZONTAL / LEFT RETURN / NO BACKUP HEAT
	BDAH-04E1700-1BH	4 TON HORIZONTAL / RIGHT RETURN / NO BACKUP HEAT
	<b>NEW</b> BDAH-04E1710-1AH	4 TON HORIZONTAL / LEFT RETURN / 10KW BACKUP HEAT
	<b>NEW</b> BDAH-04E1710-1BH	4 TON HORIZONTAL / RIGHT RETURN / 10KW BACKUP HEAT
	<b>NEW</b> BDAH-04E1715-1AH	4 TON HORIZONTAL / LEFT RETURN / 15KW BACKUP HEAT
<b>NEW</b> BDAH-04E1715-1BH	4 TON HORIZONTAL / RIGHT RETURN / 15KW BACKUP HEAT	

Up Flow Units	MODEL #	DESCRIPTION
	BDAH-04E1700-1AU	4 TON UP FLOW / LEFT RETURN / NO BACKUP HEAT
	BDAH-04E1700-1BU	4 TON UP FLOW / RIGHT RETURN / NO BACKUP HEAT
	BDAH-04E1710-1AU	4 TON UP FLOW / LEFT RETURN / 10KW BACKUP HEAT
	BDAH-04E1710-1BU	4 TON UP FLOW / RIGHT RETURN / 10KW BACKUP HEAT
	BDAH-04E1715-1AU	4 TON UP FLOW / LEFT RETURN / 15KW BACKUP HEAT
BDAH-04E1715-1BU	4 TON UP FLOW / RIGHT RETURN / 15KW BACKUP HEAT	

Down Flow Units	MODEL #	DESCRIPTION
	BDAH-04E1700-1AD	4 TON DOWN FLOW / LEFT RETURN / NO BACKUP HEAT
	BDAH-04E1700-1BD	4 TON DOWN FLOW / RIGHT RETURN / NO BACKUP HEAT
	BDAH-04E1710-1AD	4 TON DOWN FLOW / LEFT RETURN / 10KW BACKUP HEAT
	BDAH-04E1710-1BD	4 TON DOWN FLOW / RIGHT RETURN / 10KW BACKUP HEAT
	BDAH-04E1715-1AD	4 TON DOWN FLOW / LEFT RETURN / 15KW BACKUP HEAT
BDAH-04E1715-1BD	4 TON DOWN FLOW / RIGHT RETURN / 15KW BACKUP HEAT	

## 4-Ton HSS® AIR HANDLER MODEL NUMBER INFORMATION

BDAH-	04	E	17		-	1		
<b>Tonnage</b> 04 = 4 TON	<b>Motor Type</b> E = ECM	<b>CFM</b> 17 = 1750 CFM	<b>kW</b> 00 = None 10 = 10kW 15 = 15kW	<b>Voltage</b> 1 = 240V / 208V 60Hz / 1Phase	<b>Return Air Direction</b> A = Left (Standard) B = Right	<b>Supply Air Direction</b> U = Up flow (Standard) D = Down flow H = Horizontal flow	<b>Filter Thickness</b> 1 = 1" (Standard) 2 = 2"	<b>NOTE: THIS IS THE SIDE THE FILTER WILL BE LOCATED ON.</b>

## 4-Ton HSS® Air Handler Replacement Parts

Part Number	Size Description
B2-30T	24V-30 MIN AJUSTABLE TIME DELAY
ZT-4X-60	4-CIRCUIT RELAY BOARD
TCT50-05E07K	DUAL VOLTAGE (120V/230V PRIMARY) 24V 50 VA TRANSFORMER
AH10KWHEAT-FAB	10KW HEAT STRIP ASSEMBLY
AH15KWHEAT-FAB	15KW HEAT STRIP ASSEMBLY
08-3160-00	KW RELAY
08-3280-01	KW WHITE RECTIFIER BOARD
08-2833-00	LIMIT SWITCH - KW UNIT
AHEM0005/4T	4-TON BLOWER MOTOR (FACTORY PROGRAMMED)
AHMTRBRK34T	4-TON MOTOR BRACKET
AHPA00006MBH	4-TON BLOWER HOUSING ASSEMBLY
AHCOIL4T	4-TON COIL (COIL ONLY)
4TONCOIL	4-TON COIL ASSEMBLY (WITH SWIVELS)
AIRFILTER25-1	25" x 25" X 1" AIR FILTER (MERV 8)
AIRFILTER25-2	25" x 25" X 2" AIR FILTER (MERV 8)
A415006-41	4-TON SWIVEL GASKET

# 5-Ton HSS® Hydronic Air Handler Options



Left Side Return / Up Flow Configuration Shown

Horizontal Units	MODEL #	DESCRIPTION
	BDAH-05E2100-1AH	5 TON HORIZONTAL / LEFT RETURN / NO BACKUP HEAT
	BDAH-05E2100-1BH	5 TON HORIZONTAL / RIGHT RETURN / NO BACKUP HEAT
	<b>NEW</b> BDAH-05E2110-1AH	5 TON HORIZONTAL / LEFT RETURN / 10KW BACKUP HEAT
	<b>NEW</b> BDAH-05E2110-1BH	5 TON HORIZONTAL / RIGHT RETURN / 10KW BACKUP HEAT
	<b>NEW</b> BDAH-05E2115-1AH	5 TON HORIZONTAL / LEFT RETURN / 15KW BACKUP HEAT
<b>NEW</b> BDAH-05E2115-1BH	5 TON HORIZONTAL / RIGHT RETURN / 15KW BACKUP HEAT	

Up Flow Units	MODEL #	DESCRIPTION
	BDAH-05E2100-1AU	5 TON UP FLOW / LEFT RETURN / NO BACKUP HEAT
	BDAH-05E2100-1BU	5 TON UP FLOW / RIGHT RETURN / NO BACKUP HEAT
	BDAH-05E2110-1AU	5 TON UP FLOW / LEFT RETURN / 10KW BACKUP HEAT
	BDAH-05E2110-1BU	5 TON UP FLOW / RIGHT RETURN / 10KW BACKUP HEAT
	BDAH-05E2115-1AU	5 TON UP FLOW / LEFT RETURN / 15KW BACKUP HEAT
BDAH-05E2115-1BU	5 TON UP FLOW / RIGHT RETURN / 15KW BACKUP HEAT	

Down Flow Units	MODEL #	DESCRIPTION
	BDAH-05E2100-1AD	5 TON DOWN FLOW / LEFT RETURN / NO BACKUP HEAT
	BDAH-05E2100-1BD	5 TON DOWN FLOW / RIGHT RETURN / NO BACKUP HEAT
	BDAH-05E2110-1AD	5 TON DOWN FLOW / LEFT RETURN / 10KW BACKUP HEAT
	BDAH-05E2110-1BD	5 TON DOWN FLOW / RIGHT RETURN / 10KW BACKUP HEAT
	BDAH-05E2115-1AD	5 TON DOWN FLOW / LEFT RETURN / 15KW BACKUP HEAT
BDAH-05E2115-1BD	5 TON DOWN FLOW / RIGHT RETURN / 15KW BACKUP HEAT	

APPROX WT (LBS)	DIMENSIONS
165	28"W x 30"H x 31"D

## 5-Ton HSS® AIR HANDLER MODEL NUMBER INFORMATION

BDAH-	05	E	21		-	1				
<b>Tonnage</b> 05 = 5 TON	<b>Motor Type</b> E = ECM	<b>CFM</b> 21 = 2150 CFM	<b>kW</b> 00 = None 10 = 10kW 15 = 15kW	<b>Voltage</b> 1 = 240V / 208V 60Hz / 1Phase	<b>Return Air Direction</b> A = Left (Standard) B = Right	<b>Supply Air Direction</b> U = Up flow (Standard) D = Down flow H = Horizontal flow	<b>Filter Thickness</b> 1 = 1" (Standard) 2 = 2"	<b>NOTE: THIS IS THE SIDE THE FILTER WILL BE LOCATED ON.</b>		

## 5-Ton HSS® Air Handler Replacement Parts

Part Number	Size Description
B2-30T	24V-30 MIN AJUSTABLE TIME DELAY
ZT-4X-60	4-CIRCUIT RELAY BOARD
TCT50-05E07K	DUAL VOLTAGE (120V/230V PRIMARY) 24V 50 VA TRANSFORMER
AH10KWHEAT-FAB	10KW HEAT STRIP ASSEMBLY
AH15KWHEAT-FAB	15KW HEAT STRIP ASSEMBLY
08-3160-00	KW RELAY
08-3280-01	KW WHITE RECTIFIER BOARD
08-2833-00	LIMIT SWITCH - KW UNIT
AHEM0010/5T	5-TON BLOWER MOTOR (FACTORY PROGRAMMED)
AHMTRBRK5T	5-TON MOTOR BRACKET
AHPA00005LBH	5-TON BLOWER HOUSING ASSEMBLY
AHCOIL5T	2-TON COIL (COIL ONLY)
5TONCOIL	5-TON COIL ASSEMBLY (WITH SWIVELS)
AIRFILTER25-1	25" x 25" X 1" AIR FILTER (MERV 8)
AIRFILTER25-2	25" x 25" X 2" AIR FILTER (MERV 8)
A415006-41	5-TON SWIVEL GASKET

## Air Handler Specifications

Unit Specs.	1 Ton Unit	2 Ton Unit	3 Ton Unit	4 Ton Unit	5 Ton unit
Fan Coil Size (Excludes Flanges)	23"W x 24"H x 28"D	23"W x 24"H x 28"D	28"W x 30"H x 31"D	28"W x 30"H x 31"D	28"W x 30"H x 31"D
Largest KW	3 KW	5 KW	10 KW	15 KW	15 KW
Air Filter Size	18" x 22" x 1"	18" x 22" x 1"	25" x 25" x 1"	25" x 25" x 1"	25" x 25" x 1"
Supply Air Size	12" x 12" (1" Flange)	12" x 12" (1" Flange)	14" x 14" (1" Flange)	14" x 14" (1" Flange)	14" x 14" (1" Flange)
Return Air Size	17" x 21" (1" Flange)	17" x 21" (1" Flange)	24" x 24" (1" Flange)	24" x 24" (1" Flange)	24" x 24" (1" Flange)
Swivel Connections Inlet / Outlet	1" FPT	1" FPT	1" FPT	1-1/4" FPT	1-1/4" FPT
Primary & Secondary Drain	3/4" FPT	3/4" FPT	3/4" FPT	3/4" FPT	3/4" FPT
Unit Weight (lbs.)	100	105	136	146	165

## Electrical Information

Electrical Specs.	1 Ton Unit	2 Ton Unit	3 Ton Unit	4 Ton Unit	5 Ton unit
Blower Motor HP	1/3 HP	1/3 HP	1/2 HP	1/2 HP	1 HP
Amps	2.6	2.6	4.6	4.6	7
Voltage	208V / 240V	208V / 240V	208V / 240V	208V / 240V	208V / 240V
MCA (Minimum Circuit Ampacity)	3.25	3.25	5.75	5.75	8.75
MOP (Maximum Overcurrent Protection)	15	15	15	15	15
Min C.F.M Rated @ 0.5 E.S.P	270	600	1000	1400	1800
Max C.F.M Rated @ 0.5 E.S.P	440	950	1350	1750	2150

## Heating Data

Heating/Hr & Entering Water Temperatures	1 Ton Unit (CFM 500) (4 GPM)	2 Ton Unit (CFM 950) (6 GPM)	3 Ton Unit (CFM 1350) (8 GPM)	4 Ton Unit (CFM 1750) (10 GPM)	5 Ton unit (CFM 2150) (12 GPM)
MB/H Heating @ 180° E.W.T	48.1	95.1	134.7	172.5	209.5
MB/H Heating @ 155° E.W.T	37	73.2	103.6	132.7	161.1
MB/H Heating @ 130° E.W.T	26	51.3	72.7	93.1	113
MB/H Heating @ 115° E.W.T	18.1	36.6	52.4	68.7	82.7
MB/H Heating @ 110° E.W.T	16.1	32.5	46.5	60.8	73.9
MB/H Heating @ 105° E.W.T	14	28.3	40.7	53.1	64.4

Note: Heating Capacities are Based on 0% Glycol

## Cooling Data

Cooling/Hr & Entering Water Temperatures	1 Ton Unit (CFM 500) (4 GPM)	2 Ton Unit (CFM 950) (6 GPM)	3 Ton Unit (CFM 1350) (8 GPM)	4 Ton Unit (CFM 1750) (10 GPM)	5 Ton unit (CFM 2150) (12 GPM)
MB/H Cooling @ 50° E.W.T	10.1	20.5	30	39.2	47.5
MB/H Cooling @ 45° E.W.T	12.8	25.8	37.7	48.9	59.4
MB/H Cooling @ 40° E.W.T	15.6	31.4	45.7	59.2	72

Note: Cooling Capacities are Based on 0% Glycol

## Emergency Heat Strip Data

Unit Specs.	1 Ton Unit	2 Ton Unit	3 Ton Unit	4 Ton Unit	5 Ton unit
Max KW	3 KW	5 KW	10 KW	15 KW	15 KW
Amps	12.5	20.8	41.7	62.5	62.5
MCA	15.63	26	52.125	78.125	78.125
MOP	20	30	60	80	80